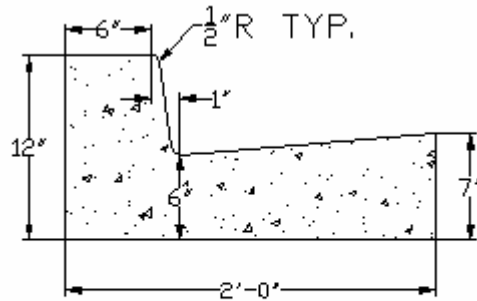
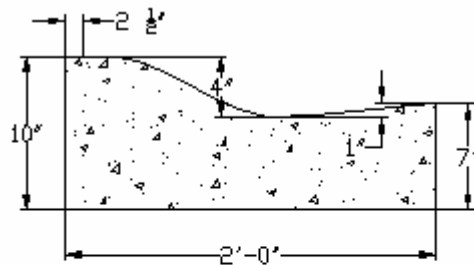


Typical Approved Plat Details

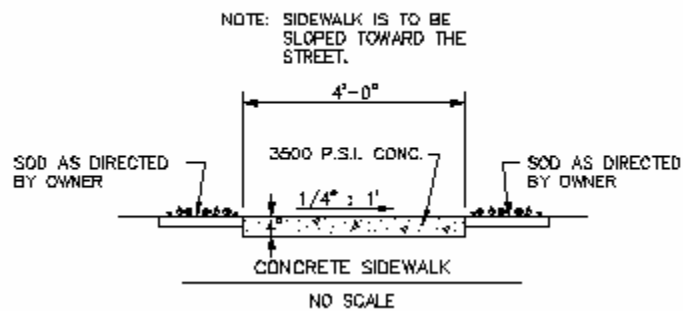
*Engineers and surveyors can contact the office to get these details in .dwg format.

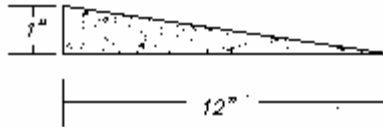


*CONCRETE CURB and
GUTTER DESIGN*

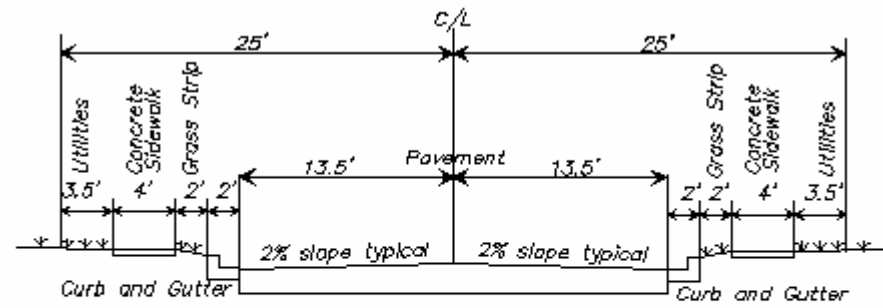


*ROLLED CONCRETE CURB
and GUTTER DESIGN
(RESIDENTIAL LOCAL STREETS ONLY)*

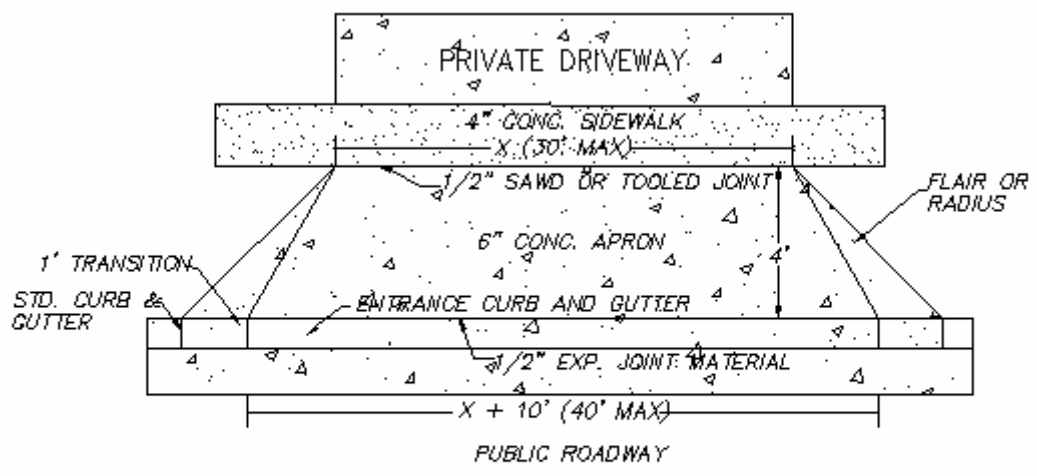




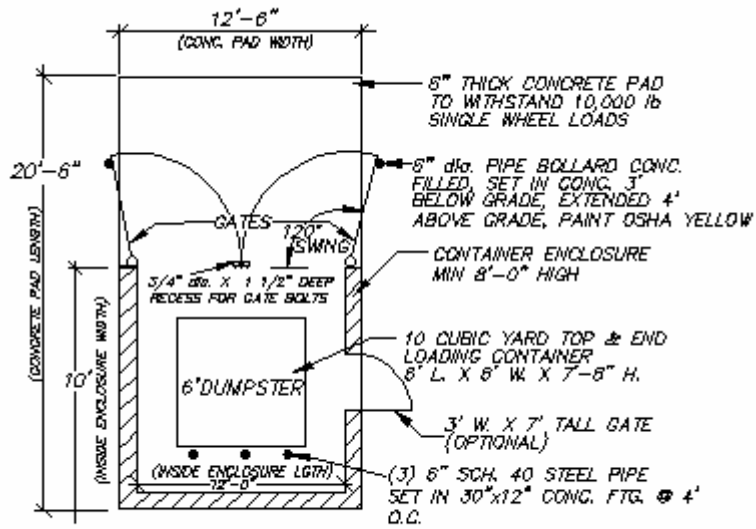
6" CONCRETE W/6X6 8X8 W.W.F.
 SLOPE NOT TO EXCEED
 1" VERTICAL IN
 1' HORIZONTAL
SIDEWALK RAMP
 NOT TO SCALE



- Roadbases
- 1" Class 1 Surface
 - 2" Bituminous Base
 - 6" DGA
 - 5" #3 Stone or
 - 5" of 3-10's
- (Full depth of shoulder)



CONCRETE APRON DETAIL
 NO SCALE



DUMPSTER ENCLOSURE PLAN
 N.T.S.